



REQUEST FOR DETERMINATION OF APPLICABILITY APPLICATION

For a Sewer Connection within
The Buffer Zone to a Coastal Bank & Beach

At

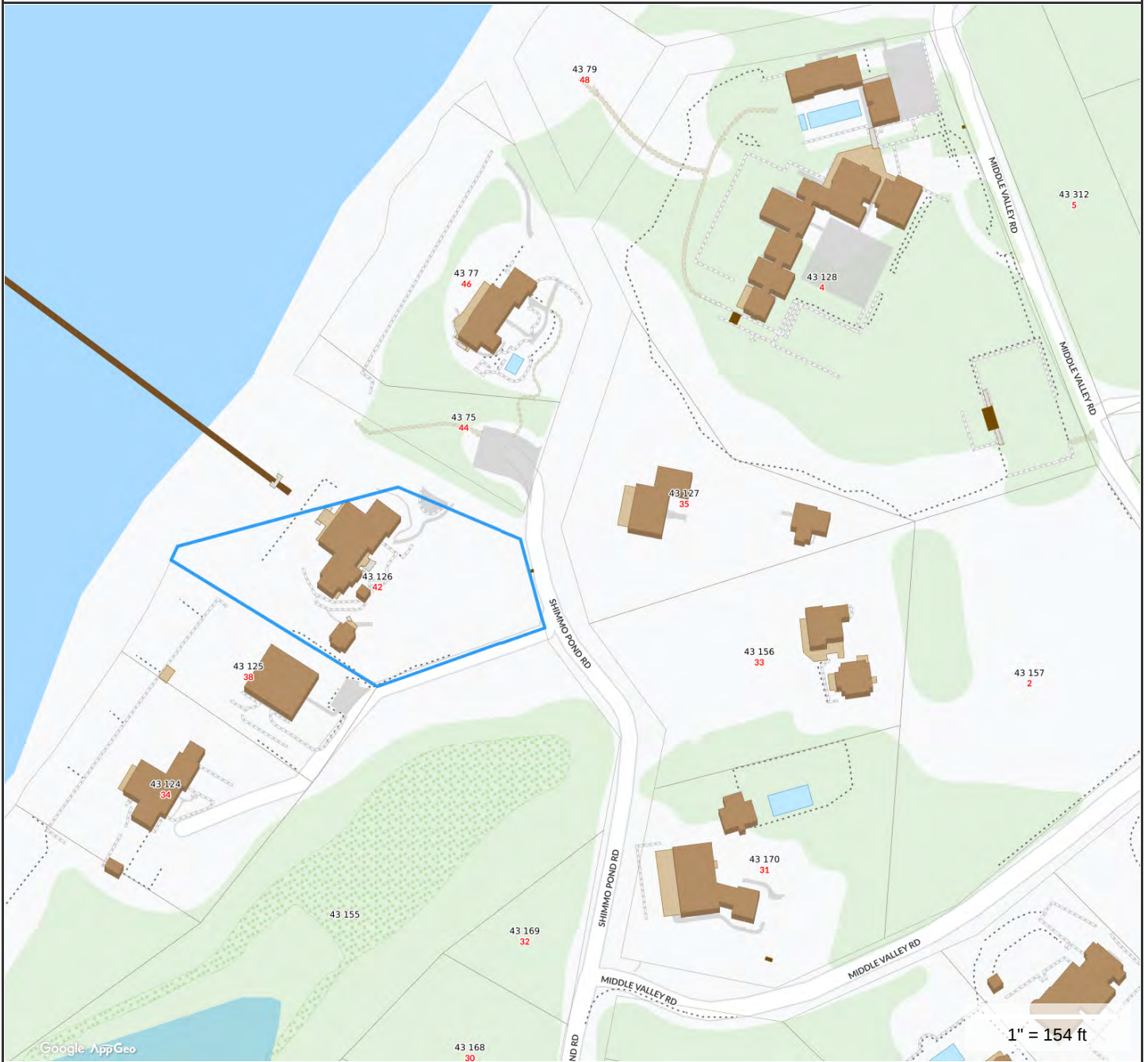
42 Shimmo Pond Road
Nantucket, MA

January 2021

Prepared For

LOW SHIMMO NOMINEE TRUST

Locus Map



Property Information

Property ID 43 126
Location 42 SHIMMO POND RD
Owner STEWART JAMES TR



MAP FOR REFERENCE ONLY NOT A LEGAL DOCUMENT

Town and County of Nantucket, MA makes no claims and no warranties, expressed or implied, concerning the validity or accuracy of the GIS data presented on this map.

Geometry updated 11/13/2018
 Data updated 11/19/2018



WPA Form 1- Request for Determination of Applicability

Massachusetts Wetlands Protection Act M.G.L. c. 131, §40

A. General Information

Important:

When filling out forms on the computer, use only the tab key to move your cursor - do not use the return key.



1. Applicant:

Low Shimmo Nominee Trust

Name

E-Mail Address

4615 Lenape Ln

Mailing Address

LaFayette Hill

City/Town

PA

State

19444-1026

Zip Code

Phone Number

Fax Number (if applicable)

2. Representative (if any):

Nantucket Engineering & Survey, P.C.

Firm

Arthur D. Gasbarro, PE, PLS

Contact Name

art@NantucketEngineer.com

E-Mail Address

20 Mary Ann Drive

Mailing Address

Nantucket

City/Town

MA

State

02554

Zip Code

508-825-5053

Phone Number

Fax Number (if applicable)

B. Determinations

1. I request the Nantucket _____ make the following determination(s). Check any that apply:
Conservation Commission

- a. whether the **area** depicted on plan(s) and/or map(s) referenced below is an area subject to jurisdiction of the Wetlands Protection Act.
- b. whether the **boundaries** of resource area(s) depicted on plan(s) and/or map(s) referenced below are accurately delineated.
- c. whether the **work** depicted on plan(s) referenced below is subject to the Wetlands Protection Act.
- d. whether the area and/or work depicted on plan(s) referenced below is subject to the jurisdiction of any **municipal wetlands ordinance** or **bylaw** of:

Nantucket

Name of Municipality

- e. whether the following **scope of alternatives** is adequate for work in the Riverfront Area as depicted on referenced plan(s).



WPA Form 1- Request for Determination of Applicability

Massachusetts Wetlands Protection Act M.G.L. c. 131, §40

C. Project Description (cont.)

b. Identify provisions of the Wetlands Protection Act or regulations which may exempt the applicant from having to file a Notice of Intent for all or part of the described work (use additional paper, if necessary).

No work is proposed within 25-feet of the Resource Area boundaries. No waivers are required from applicable regulations.

3. a. If this application is a Request for Determination of Scope of Alternatives for work in the Riverfront Area, indicate the one classification below that best describes the project.

- Single family house on a lot recorded on or before 8/1/96
- Single family house on a lot recorded after 8/1/96
- Expansion of an existing structure on a lot recorded after 8/1/96
- Project, other than a single family house or public project, where the applicant owned the lot before 8/7/96
- New agriculture or aquaculture project
- Public project where funds were appropriated prior to 8/7/96
- Project on a lot shown on an approved, definitive subdivision plan where there is a recorded deed restriction limiting total alteration of the Riverfront Area for the entire subdivision
- Residential subdivision; institutional, industrial, or commercial project
- Municipal project
- District, county, state, or federal government project
- Project required to evaluate off-site alternatives in more than one municipality in an Environmental Impact Report under MEPA or in an alternatives analysis pursuant to an application for a 404 permit from the U.S. Army Corps of Engineers or 401 Water Quality Certification from the Department of Environmental Protection.

b. Provide evidence (e.g., record of date subdivision lot was recorded) supporting the classification above (use additional paper and/or attach appropriate documents, if necessary.)



WPA Form 1- Request for Determination of Applicability

Massachusetts Wetlands Protection Act M.G.L. c. 131, §40

D. Signatures and Submittal Requirements

I hereby certify under the penalties of perjury that the foregoing Request for Determination of Applicability and accompanying plans, documents, and supporting data are true and complete to the best of my knowledge.

I further certify that the property owner, if different from the applicant, and the appropriate DEP Regional Office were sent a complete copy of this Request (including all appropriate documentation) simultaneously with the submittal of this Request to the Conservation Commission.

Failure by the applicant to send copies in a timely manner may result in dismissal of the Request for Determination of Applicability.

Name and address of the property owner:

Low Shimmo Nominee Trust

Name

4615 Lenape Ln

Mailing Address

LaFayette Hill

City/Town

PA

State

19444-1026

Zip Code

Signatures:

I also understand that notification of this Request will be placed in a local newspaper at my expense in accordance with Section 10.05(3)(b)(1) of the Wetlands Protection Act regulations.

Signature of Applicant

1/11/21

Date

Signature of Representative (if any)

1/11/21

Date



43 125

43 126

43 75

SANITARY SEWER CONSTRUCTION NOTES

- 1) Water and sewer separation: Sewers shall be laid at a minimum of 10 ft. horizontally from the existing water line. Whenever sewers must cross under water main, the sewer shall be laid at least 18 inches below the bottom of the water main. When the elevation to the sewer cannot be adjusted to comply with the above requirement, the contractor shall encase the sewer line in concrete for a distance of 10 feet on each side of the water main.
- 2) At time sewer system is installed, a pressure test and leakage test shall be performed. (See specifications provided on approved plans.) Test to be conducted by contractor under the direction of the Town of Nantucket Engineer. Tests to be performed to the satisfaction of Inspecting Engineer. Design Engineer is to be notified as to when test is to be performed, so that he/she may be present during testing. Test is to be performed only after all underground utilities have been installed.
- 3) Contractor must comply with all standards and specifications for the installation of a sanitary sewer in the Town of Nantucket. These standards are available from the SEWER DEPT. Contractors work must meet or exceed these specifications or he/she will be responsible for any upgrades to the required standards.
- 4) Contractor must comply with all Code of Federal Regulations that deal with Occupational Safety and Health Administration (OSHA) requirements (TITLE 29 - LABOR / Part 1926). As revised: July 1, 1997.
- 5) Prior to construction, contractor must review all Sanitary Sewer structure requirements prior to ordering of such materials.
- 6) Sewer Main wye's to be PVC gasketed sewer fittings (T-WYE, GxGxG) WYE set @ 2 o'clock or 10 o'clock positions. Plugs to be set @ all sewer wye's and laterals

***PROPOSED GRINDER PUMP STATION**

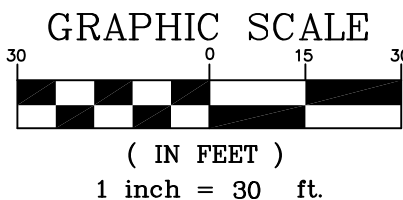
PROVIDE CRANE BARNES DUPLEX SYSTEM WITH OGP2022CE PUMPS IN ACCORDANCE WITH SPECIFICATIONS SET FORTH BY THE TOWN OF NANTUCKET SEWER DEPT. (PENDING)

CONTROL/ALARM PANEL TO HAVE REMOTE MONITORING/COMMUNICATIONS CAPABILITY & TO BE CONNECTED TO ONSITE GENERATOR.



GENERAL NOTES

- 1) The contractor(s) shall notify the Design Engineer / Surveyor for proper location of proposed utilities and improvements prior to construction. The location of existing utilities are approximate only. The proper utility companies shall be notified by the contractor to field verify underground locations. Contractor must contact DIG-SAFE @1-888-344-7233.
- 2) The contractor shall provide for the safe and orderly passage of traffic and pedestrians in areas under construction.
- 3) Areas outside limits of work disturbed by the contractor during construction will be restored to their original condition at the expense of the contractor.
- 4) Removal of trees and/or hedges in areas adjacent to the proposed travel way is to be done only upon direction of the engineer and after verification of the location of the back of proposed work, by the contractor
- 5) The contractor shall be responsible for all disturbed areas until a suitable vegetative growth has been established.
- 6) No variation to these plans may be undertaken without written authorization by the Design Engineer. Design engineer must be notified if field revisions are required.
- 7) Plan is not a certification as to the available capacity of the receiving system by the Design Engineer.



**PREPARED FOR PERMITTING
NOT FOR CONSTRUCTION**

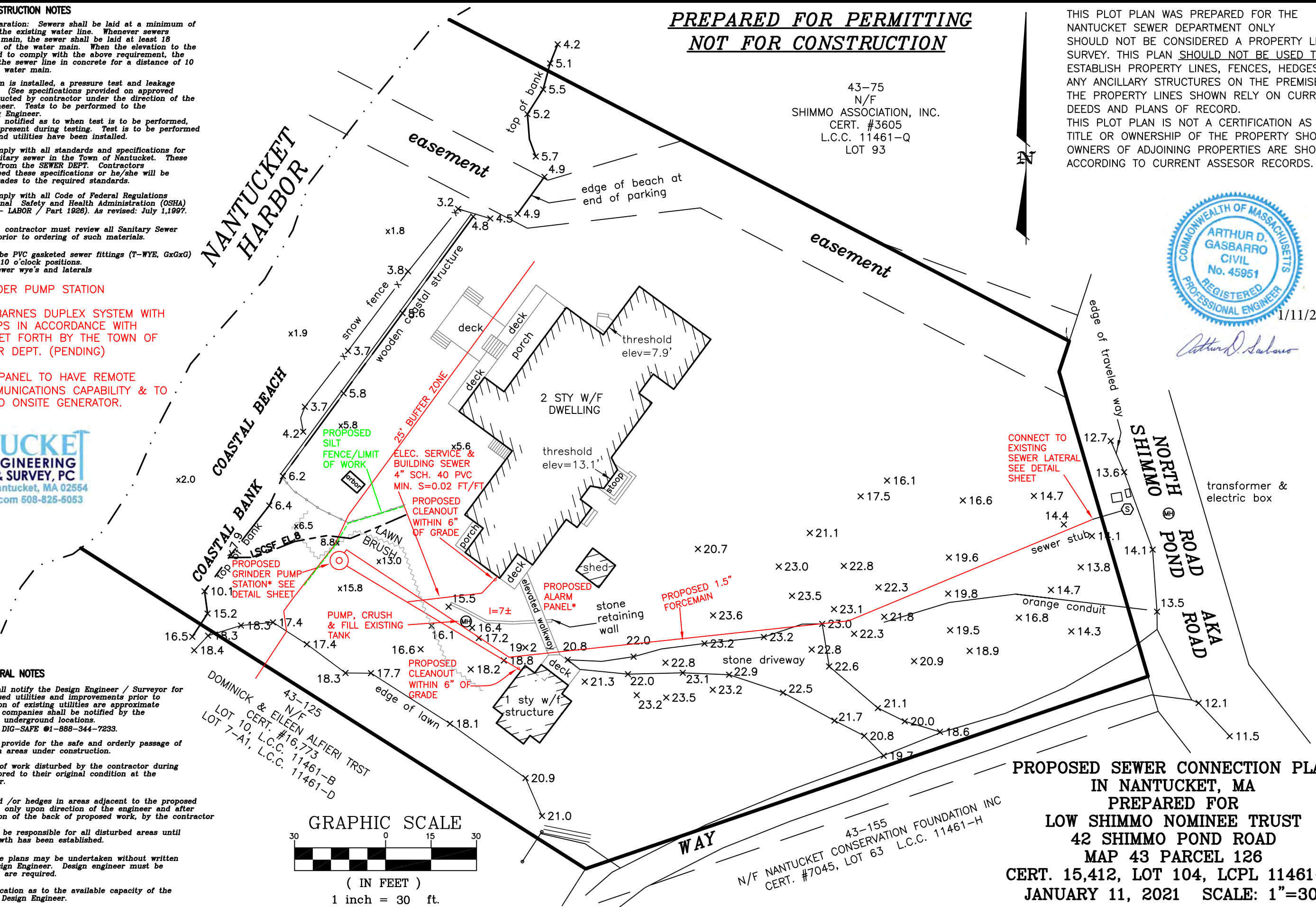
43-75
N/F
SHIMMO ASSOCIATION, INC.
CERT. #3605
L.C.C. 11461-Q
LOT 93

THIS PLOT PLAN WAS PREPARED FOR THE NANTUCKET SEWER DEPARTMENT ONLY SHOULD NOT BE CONSIDERED A PROPERTY LINE SURVEY. THIS PLAN SHOULD NOT BE USED TO ESTABLISH PROPERTY LINES, FENCES, HEDGES OR ANY ANCILLARY STRUCTURES ON THE PREMISES. THE PROPERTY LINES SHOWN RELY ON CURRENT DEEDS AND PLANS OF RECORD. THIS PLOT PLAN IS NOT A CERTIFICATION AS TO TITLE OR OWNERSHIP OF THE PROPERTY SHOWN. OWNERS OF ADJOINING PROPERTIES ARE SHOWN ACCORDING TO CURRENT ASSESSOR RECORDS.



1/11/21

Arthur D. Gasbarro

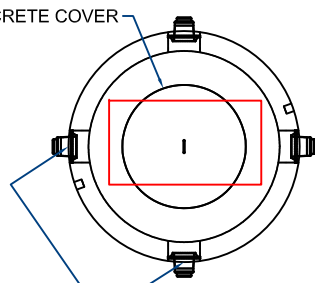


**PROPOSED SEWER CONNECTION PLAN
IN NANTUCKET, MA
PREPARED FOR
LOW SHIMMO NOMINEE TRUST
42 SHIMMO POND ROAD
MAP 43 PARCEL 126
CERT. 15,412, LOT 104, LCPL 11461-H
JANUARY 11, 2021 SCALE: 1"=30'**

43-155
N/F NANTUCKET CONSERVATION FOUNDATION INC
CERT. #7045, LOT 63 L.C.C. 11461-H

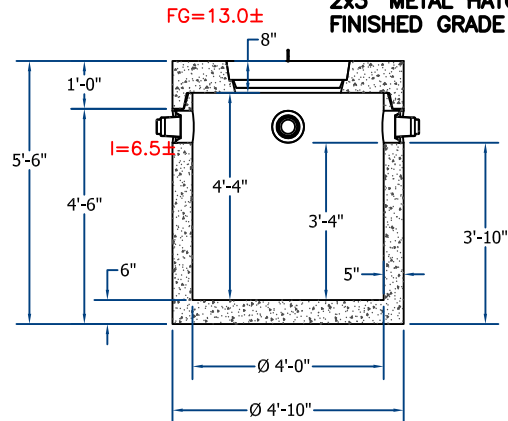
- NOTES:
 1.) SEAM SEALED WITH FLEXIBLE BUTYL RUBBER SEALANT.
 2.) OPTIONAL ITEMS:
 A.) COATING.
 B.) EXTENDED BASE.
 3.) STD COVER TAPERS FROM Ø30" TO Ø26".

CONCENTRIC TAPERED CONCRETE COVER
 Ø26" CLEAR OPENING.



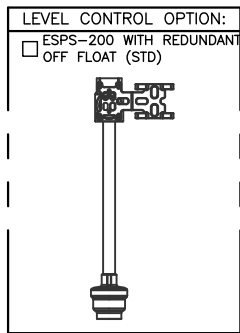
(4) Ø8" HOLES
 W/Ø 2"-4" BOOTS
 @ QUADRANTS

PROVIDE CONCRETE RISER
 REQUIRED TO BRING
 2x3' METAL HATCH TO
 FINISHED GRADE



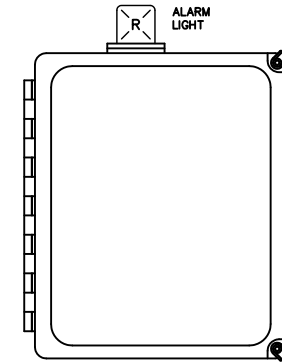
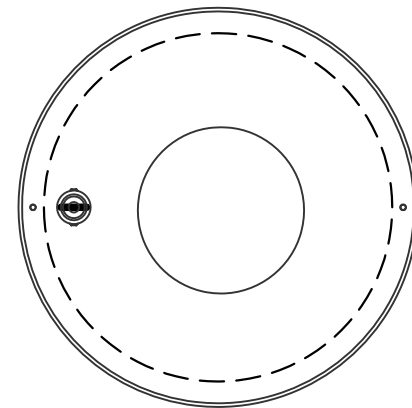
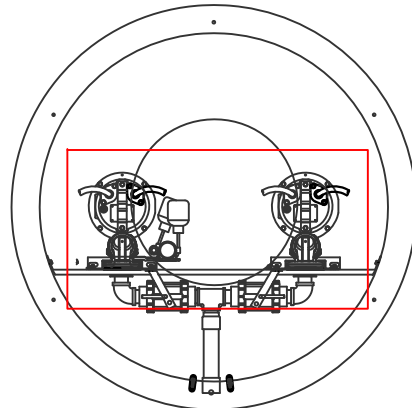
NAME: PUMP CHAMBER, 4' ID, NANTUCKET SPECIAL (335 GALLONS W/4) BOOTS **H-20** **ITEM#** PCR4335BNS

Concrete Minimum Strength: 5,000 p.s.i. at 28 days	TOP 1,500 Lbs	H	DATE: 4-24-2019
Steel Reinforcement: ASTM A615, Grade 60	BOTTOM 5,200 Lbs	Ch 9 Pg 1.3	Sht 2 of 2
Design Loading: standard units - AASHTO - H20			



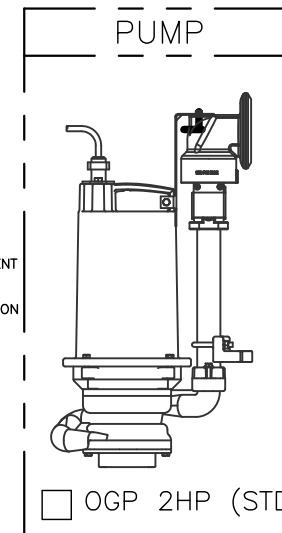
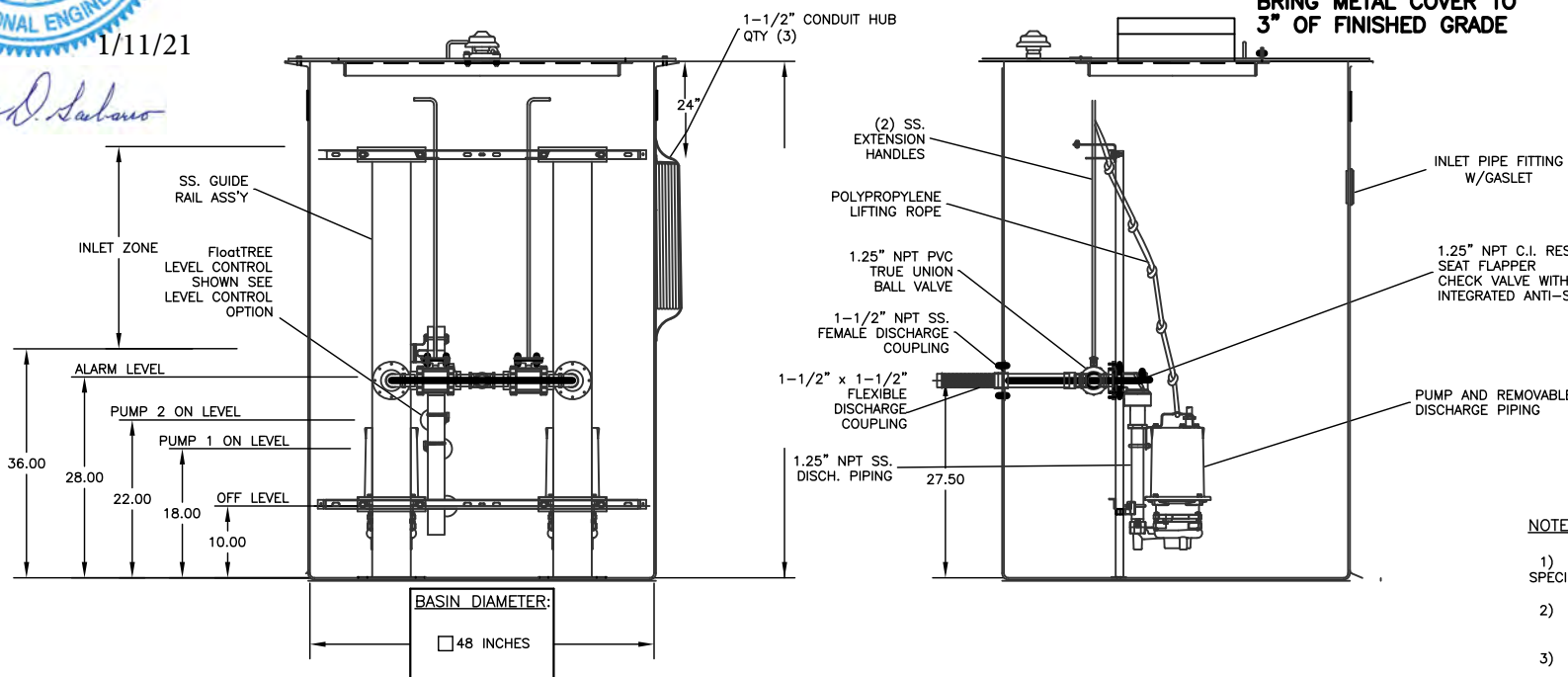
1/11/21

Arthur D. Gasbarro



DUPLEX CONTROL PANEL
 MODEL NUMBER: _____

PROVIDE CONCRETE RISER
 & COVER AS REQUIRED TO
 BRING METAL COVER TO
 3" OF FINISHED GRADE



NOTES:

- 1) ALL DIMENSIONS TO BE ± 1/4" UNLESS OTHERWISE SPECIFIED.
- 2) INTERMEDIATE SUPPORT SUPPLIED FOR DEPTHS 12 FT. AND DEEPER.
- 3) CONSULT FACTORY FOR OTHER DEPTHS.

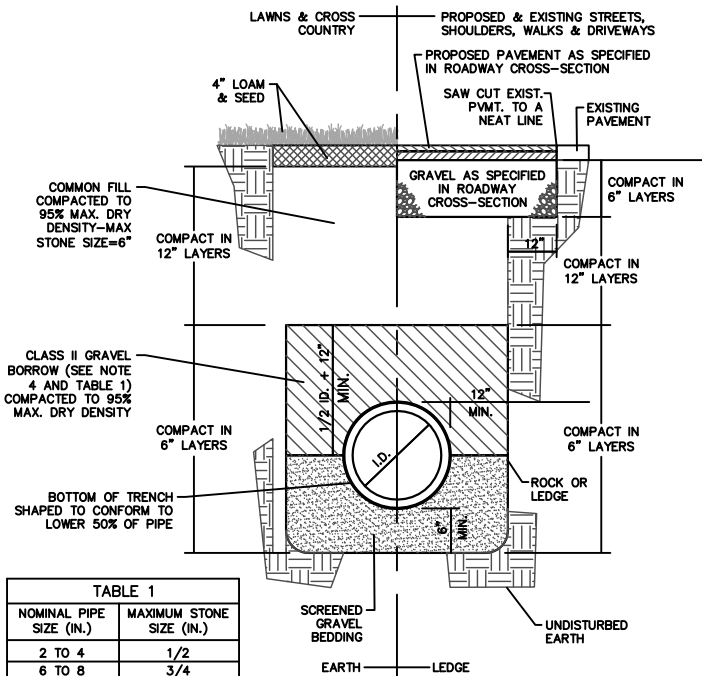


TABLE 1

NOMINAL PIPE SIZE (IN.)	MAXIMUM STONE SIZE (IN.)
2 TO 4	1/2
6 TO 8	3/4
10 TO 16	1
18 AND LARGER	1-1/2

TYPICAL PLASTIC PIPE TRENCH DETAIL

NOT TO SCALE

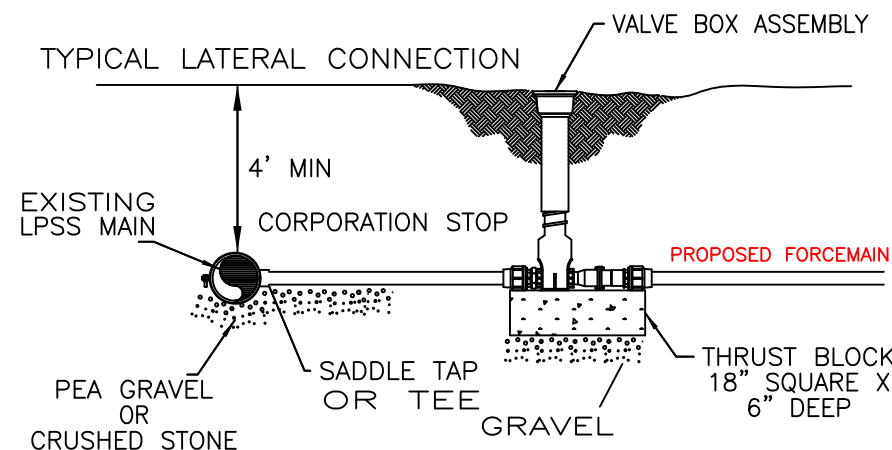
NOTES:

"COVER" AT ANY POINT SHALL BE DEFINED AS THE VERTICAL DISTANCE FROM THE UNDERMOST POINT OF THE PIPE TO A LINE WHICH CONNECTS THE SURFACE OF UNDISTURBED GROUND AT EITHER SIDE OF THE TRENCH AND IS AT RIGHT ANGLES TO THE DIRECTION OF THE PIPE.

SCREENED GRAVEL SHALL BE HARD, DURABLE, ROUNDED PARTICLES, FREE FROM SAND, LOAM, CLAY, EXCESS FINES AND DELETERIOUS MATERIAL, UNIFORMLY GRADED SUCH THAT NOT LESS THAN 95% WILL PASS A 1/2 INCH SIEVE AND NOT MORE THAN 5% PASS A NO. 4 SIEVE.

CLASS II GRAVEL BORROW SHALL BE A CLEAN, COARSE GRAINED GRAVEL-SAND MIXTURE. THE MIXTURE SHOULD CONTAIN LESS THEN 5% PASSING THE #200 SIEVE AS WELL AS COMPLYING TO THE REQUIREMENTS OF TABLE 1.

WHERE FUTURE EXTENSION OF A PLUGGED PIPE OR A PLUGGED BRANCH WILL ENTAIL ROCK EXCAVATION. TRENCH EXCAVATION IN ROCK SHALL BE EXTENDED FOR A DISTANCE OF 5'-0" BEYOND THE PLUG.



PROPOSED SEWER CONNECTION PLAN IN NANTUCKET, MA PREPARED FOR LOW SHIMMO NOMINEE TRUST 42 SHIMMO POND ROAD MAP 43 PARCEL 126 CERT. 15,412, JAN. 11, 2021 NOT TO SCALE